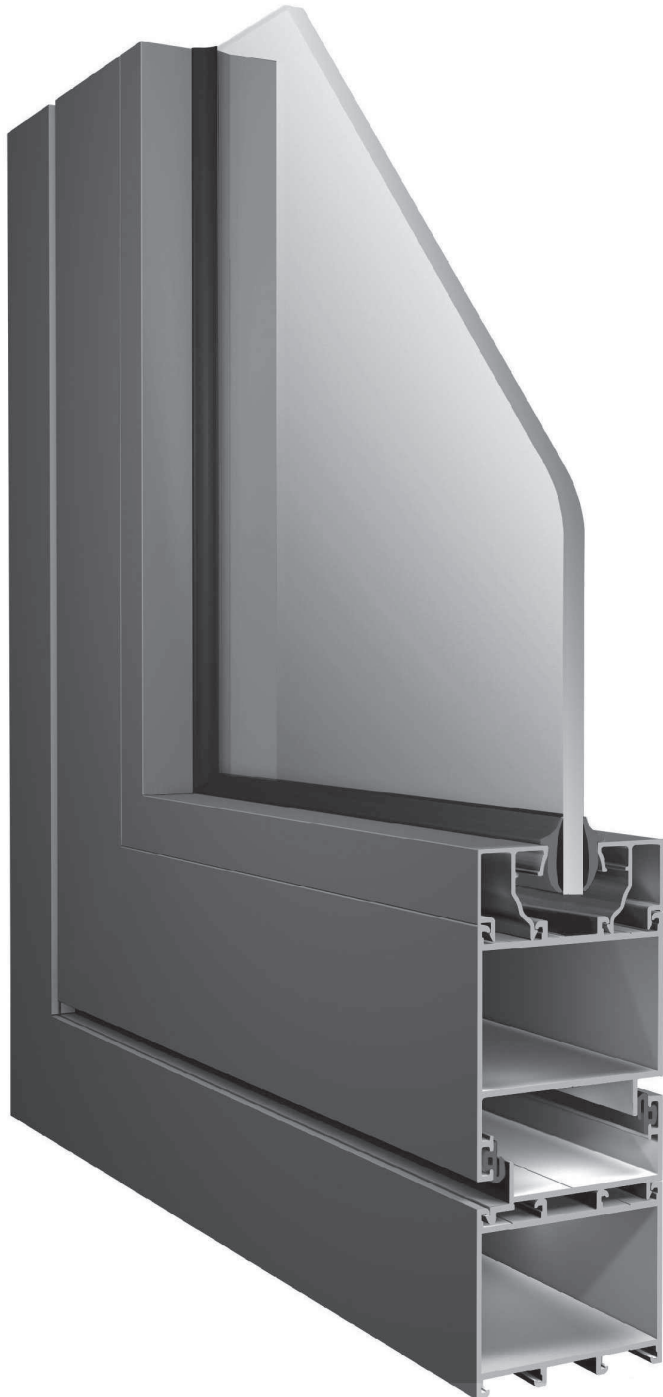


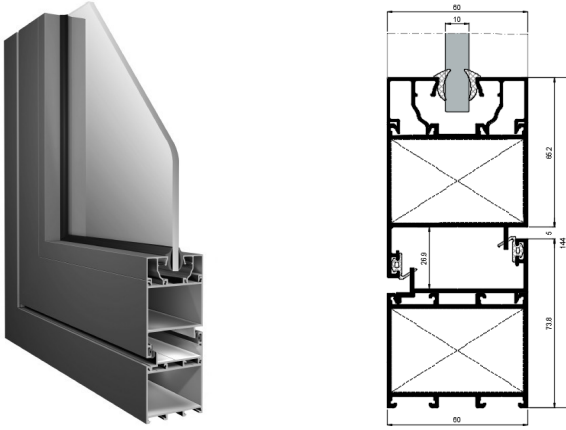
# MİMARİ KATALOG ARCHITECTURAL CATALOGUE

Alüminyum Kapı Pencere ve Giydirme Cephe Sistemleri  
Aluminium Window Doors and Facade Systems

 **RESCARA**



# RW60



## TEKNİK ÖZELLİKLERİ / TECHNICAL PROPERTIES

<b>KASA DERİNLİĞİ</b> / <i>FRAME DEPTH</i>	60 mm
<b>KANAT DERİNLİĞİ</b> / <i>VENT DEPTH</i>	60 mm
<b>PROFİL ET KALINLIĞI</b> / <i>PROFILE GLASS THICKNESS</i>	1,4 / 1,6 mm
<b>MAX. CAM KALINLIĞI</b> / <i>MAX. GLASS THICKNESS</i>	36 mm

## KULLANIM SEÇENEKLERİ / APPLICATION ALTERNATIVES

	<b>KAPI</b> DOOR	<b>PENCERE</b> WINDOW
<b>İÇE AÇILIR HEMYÜZ KAPI</b> / <i>INWARD OPENING COPLANAR DOOR</i>	*	
<b>DIŞA AÇILIR HEMYÜZ KAPI</b> / <i>OUTWARD OPENING COPLANAR DOOR</i>	*	
<b>ÇARPMA KAPI</b> / <i>SWINGING DOOR</i>	*	

# MİMARİ KATALOG

## ARCHITECTURAL CATALOGUE

Alüminyum Kapı Pencere ve Giydirme Cephe Sistemleri  
Aluminium Window Doors and Facade Systems



Rescara Sistem Detayları  
Rescara System Details

# RW60

PROFİLLER

PROFILES

01

02

03

04

05

06

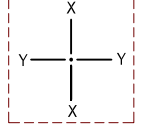
07

08

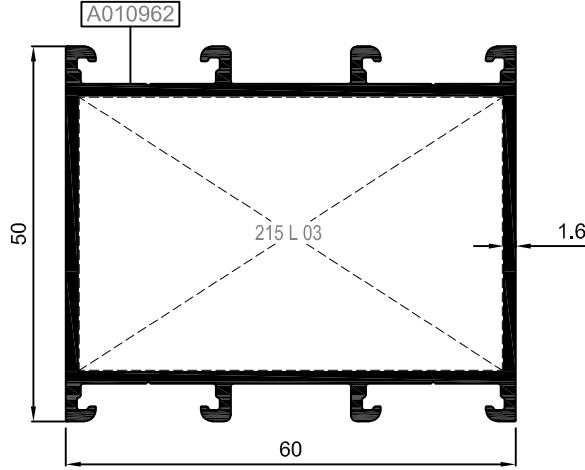
09

10

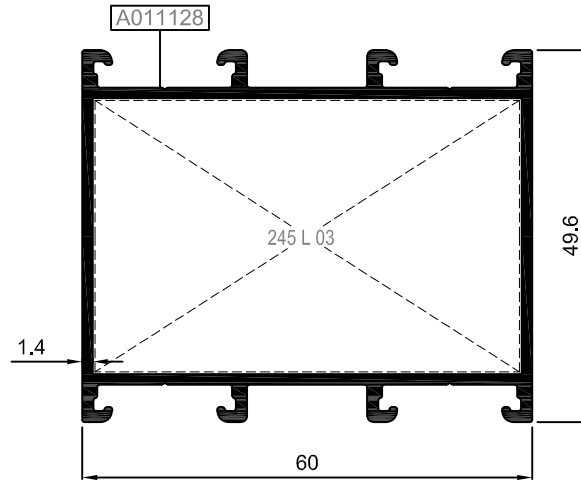
KOD/ CODE	AĞIRLIK (kg/m)/ WEIGHT	Jxx cm4	Jyy cm4	L m
RW60 F 02	1,102	20,215	13,491	6
RW60 F 06	0,997	18,287	12,290	6





RW60 F 02

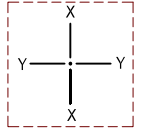


RW60 F 06

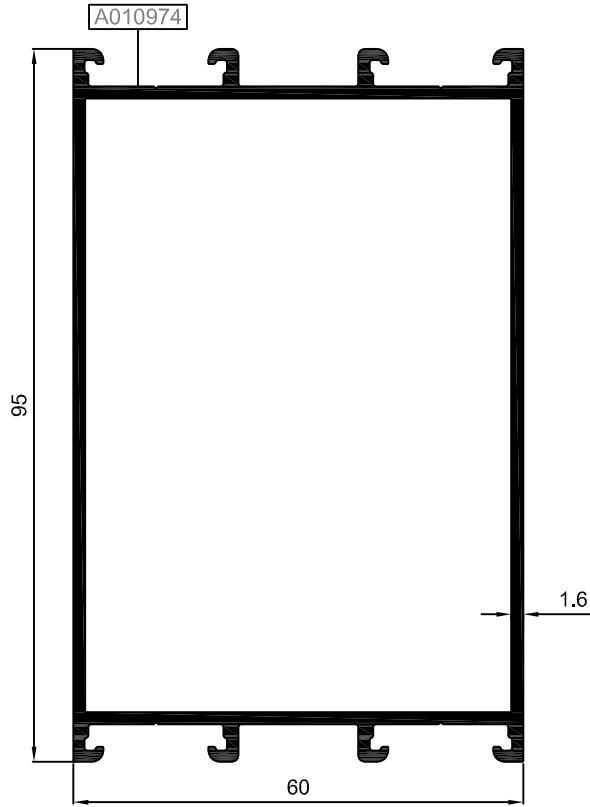


Nr		 L m	KEŞİM ÖLÇÜSÜ CUTTING SIZE	 AKS. KODU ACS. CODE
RW60 F 02	A010962	25 L 03 (A002021)	56,5 mm	215 L 03
RW60 F 06	A011128	25 L 03 (A002021)	56,8 mm	245 L 03

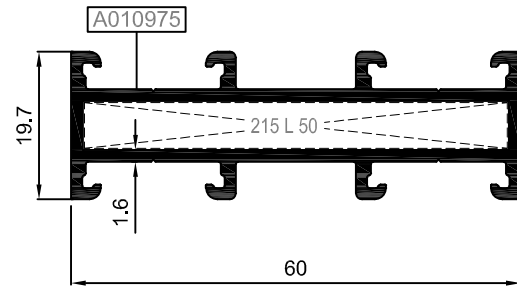
KOD/ CODE	AĞIRLIK (kg/m)/ WEIGHT	Jxx cm <sup>4</sup>	Jyy cm <sup>4</sup>	L m
RW60 F 03	1,492	32,496	67,929	6
RW60 F 04	0,839	11,946	0,923	6
RW60 F 05	1,912	128,959	27,984	6



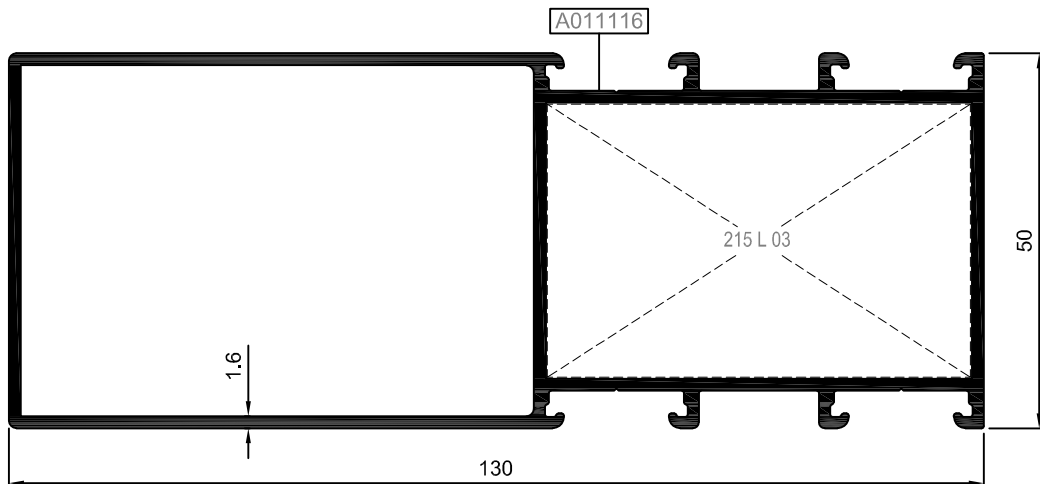
RW60 F 03



RW60 F 04



RW60 F 05

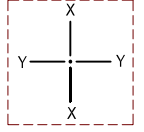


Nr		L m	KEŞİM ÖLÇÜSÜ CUTTING SIZE	AKS. KODU ACS. CODE
RW60 F 04	A010975	25 L 50 (A010838)	56,5 mm	215 L 50
RW60 F 05	A011116	25 L 03 (A002021)	56,5 mm	215 L 03

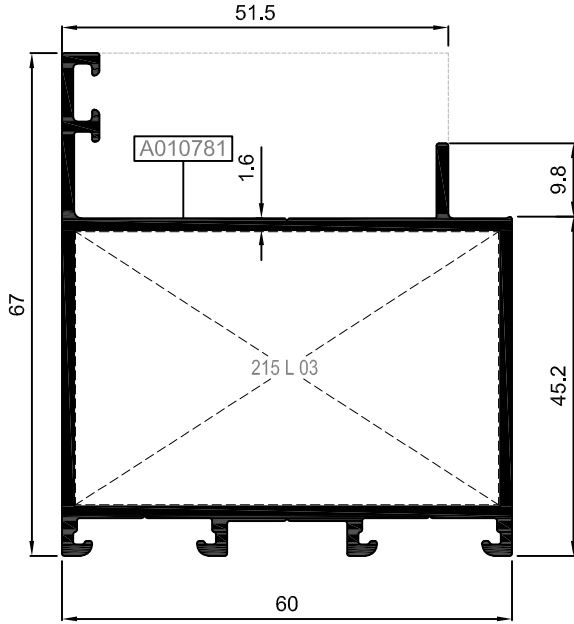
# KANAT PROFİLLERİ VENT PROFILES

# RW60

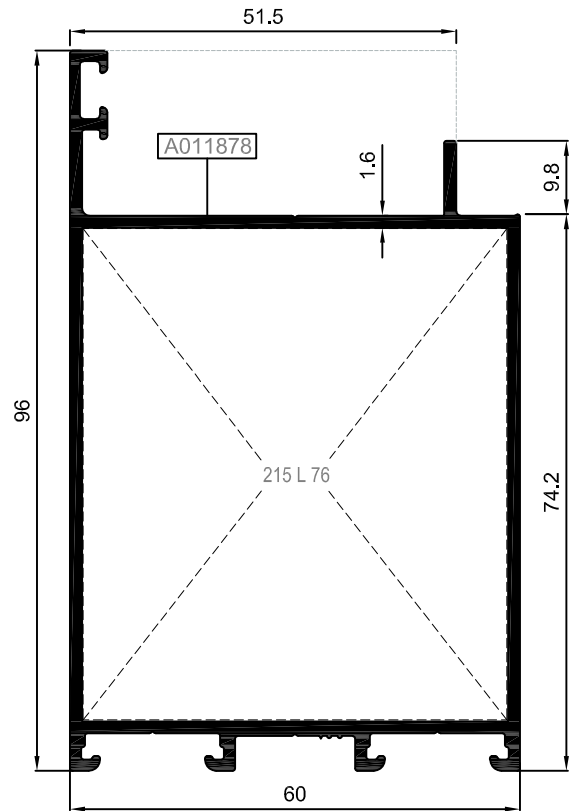
KOD/ CODE	AĞIRLIK (kg/m)/ WEIGHT	Jxx cm <sup>4</sup>	Jyy cm <sup>4</sup>	L m
RW60 V 01	1,162	22,715	18,319	6
RW60 V 03	1,047	20,198	15,788	6
RW60 V 04	1,409	49,740	30,233	6



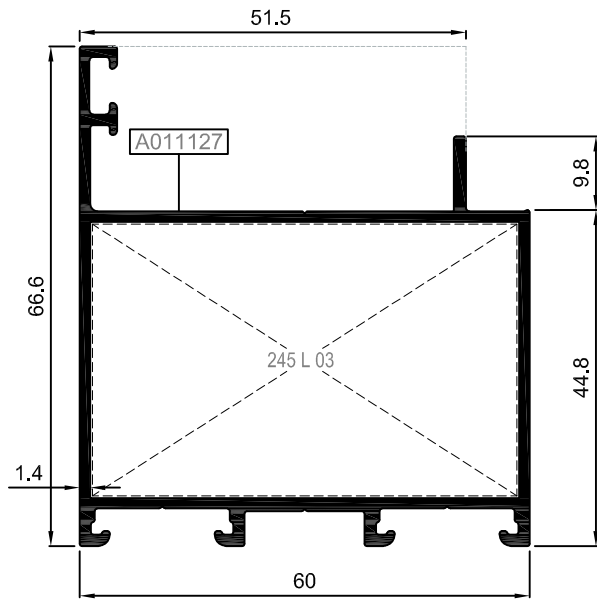
RW60 V 01





RW60 V 04



RW60 V 03

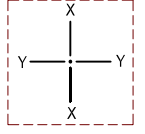


Nr	 L m	KEŞİM ÖLÇÜSÜ CUTTING SIZE	 AKS. KODU ACS. CODE	
RW60 V 01	A010781	25 L 03 (A002021)	56,5 mm	215 L 03
RW60 V 03	A011127	25 L 03 (A002021)	56,8 mm	245 L 03
RW60 V 04	A011878	25 L 76 (A011915)	56,5 mm	215 L 76

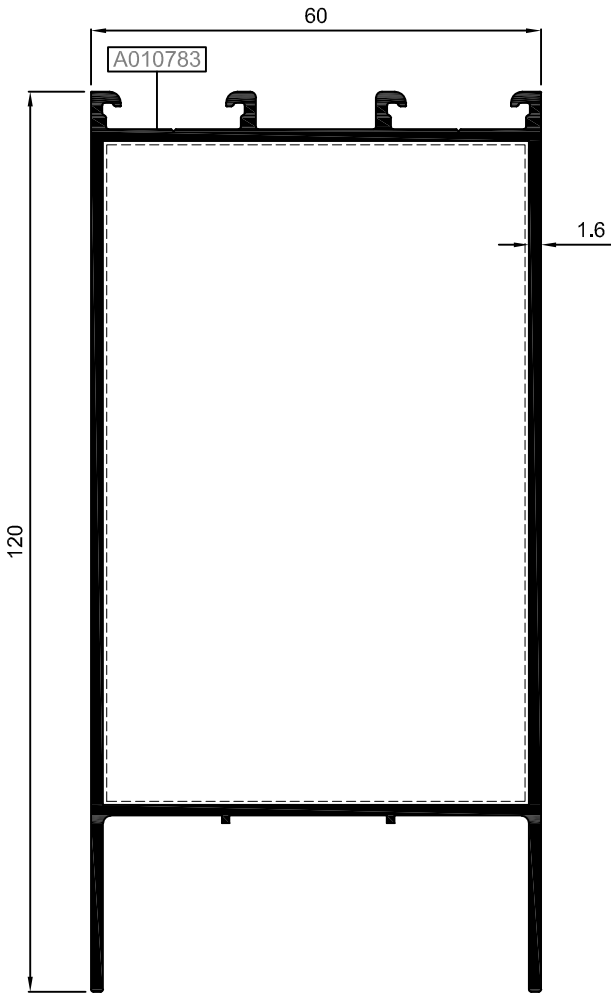
ETEK PROFİLLERİ  
KICK PLATE PROFILES

# RW60

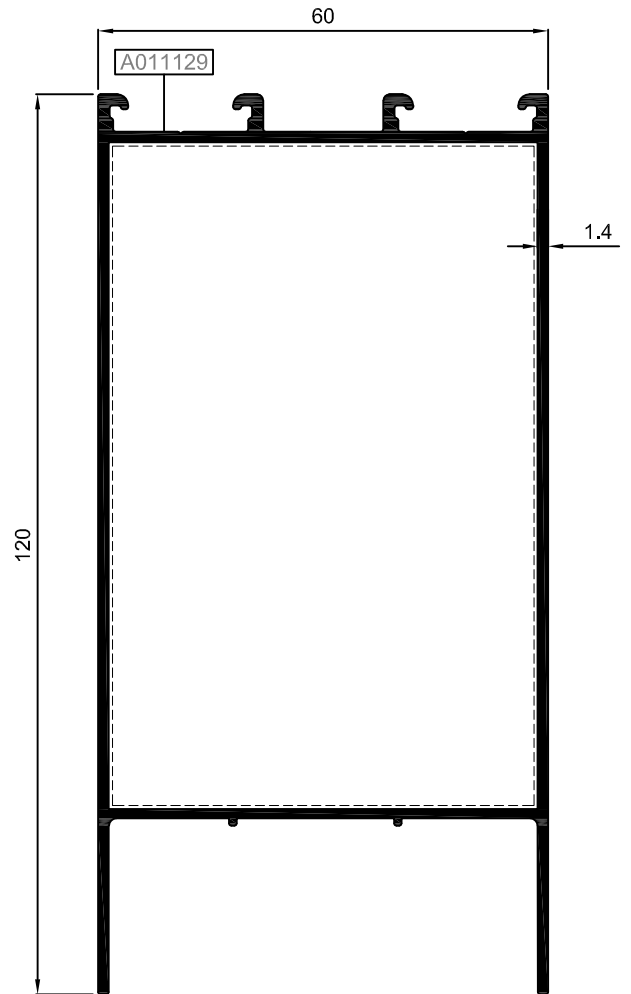
KOD/ CODE	AĞIRLIK (kg/m)/ WEIGHT	Jxx cm <sup>4</sup>	Jyy cm <sup>4</sup>	L m
RW60 K 01	1,597	38,220	91,648	6
RW60 K 02	1,414	33,947	81,855	6



RW60 K 01



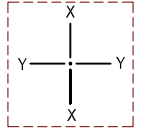
RW60 K 02



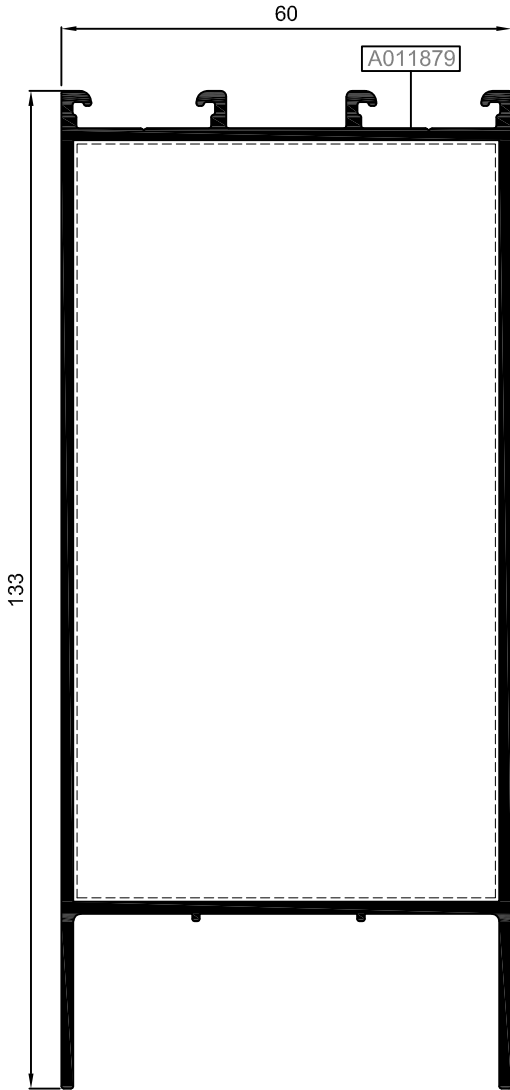
ETEK VE ADAPTÖR PROFİLLERİ  
KICK PLATE AND ADAPTER PROFILES

# RW60

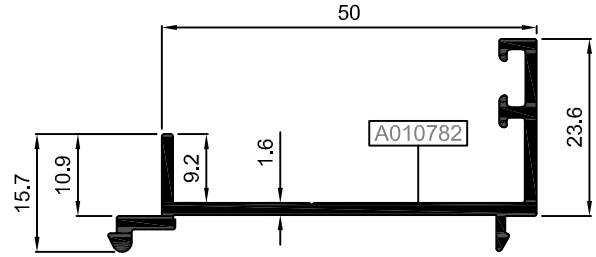
KOD/ CODE	AĞIRLIK (kg/m)/ WEIGHT	Jxx cm4	Jyy cm4	L m
RW60 K 03	1,741	42,069	124,474	6
RW60 A 01	0,431	----	----	6
RW60 A 04	1,166	----	----	6
RW60 A 05	0,706	----	----	6
RW60 A 06	0,576	----	----	6
RW60 A 09	0,301	----	----	6
T55 A 13	0,220	----	----	6



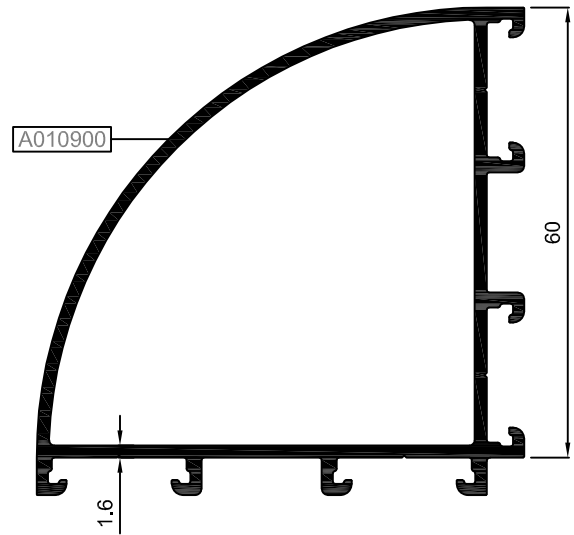
RW60 K 03



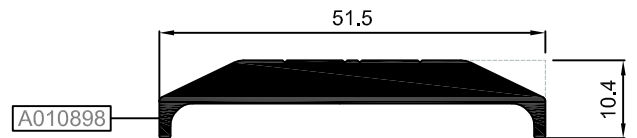
RW60 A 01



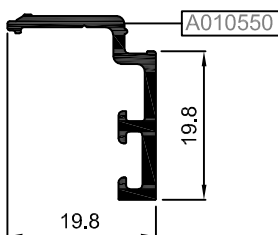
RW60 A 04



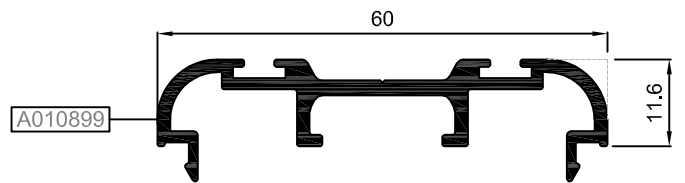
RW60 A 05



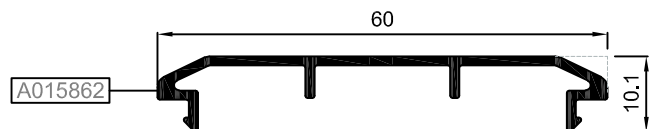
T55 A 13



RW60 A 06

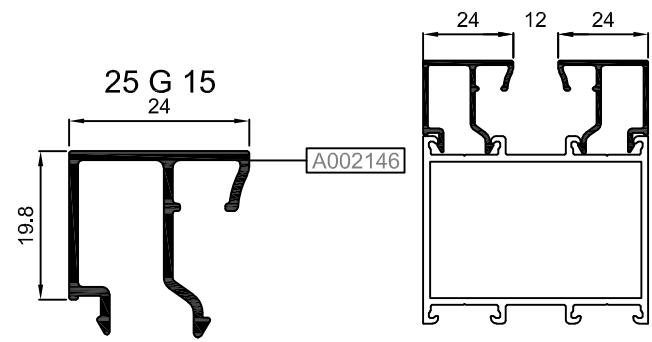
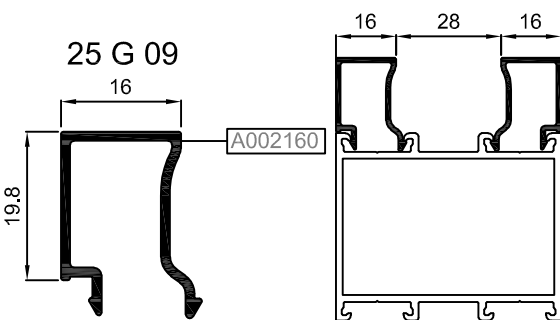
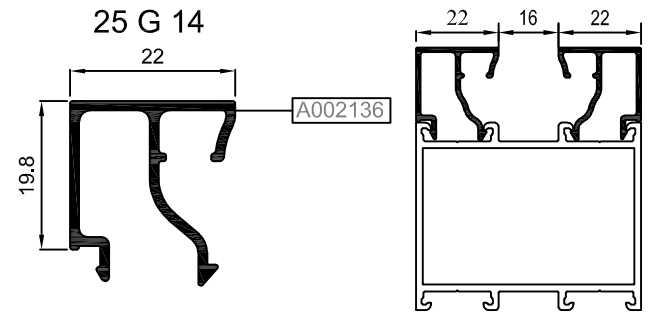
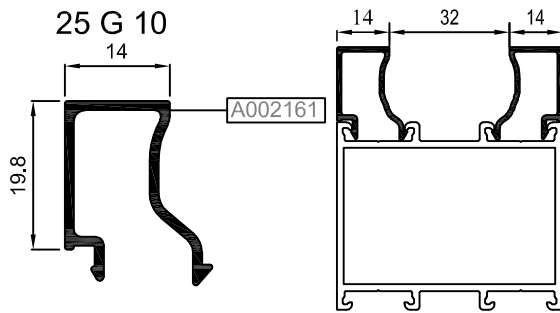
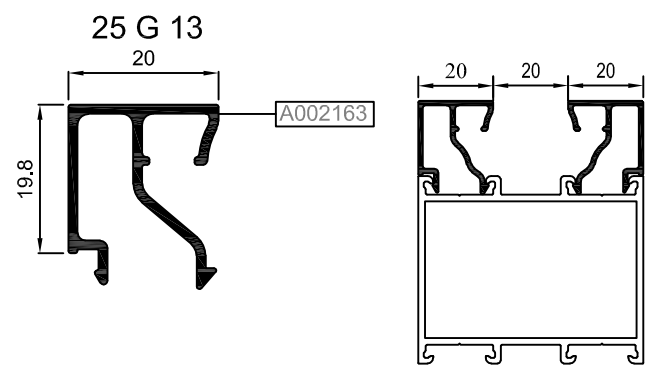
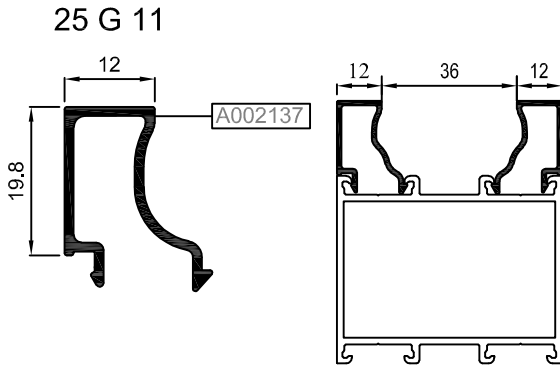
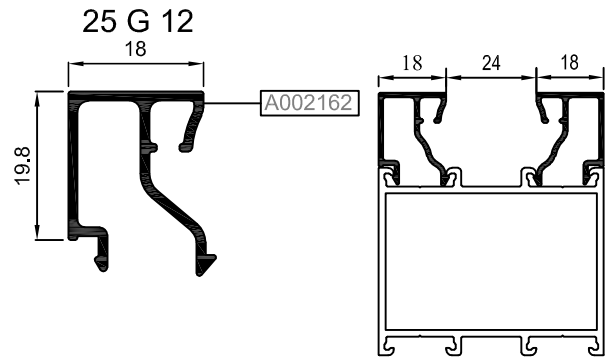
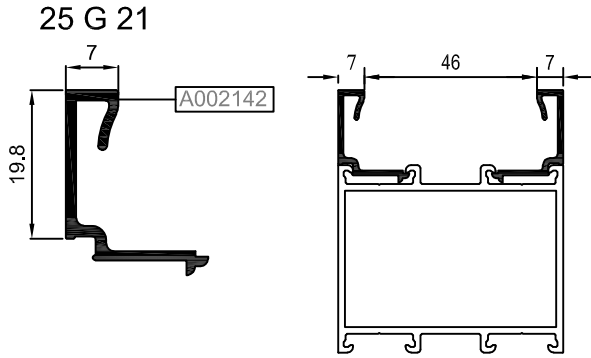
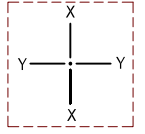


RW60 A 09

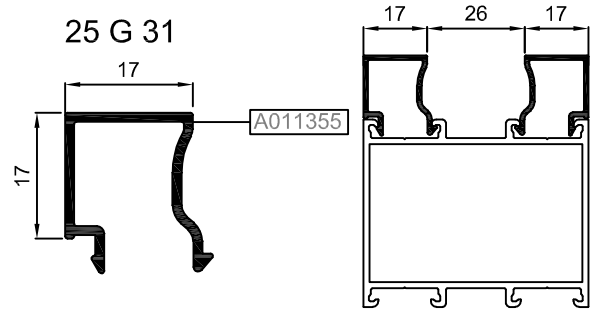
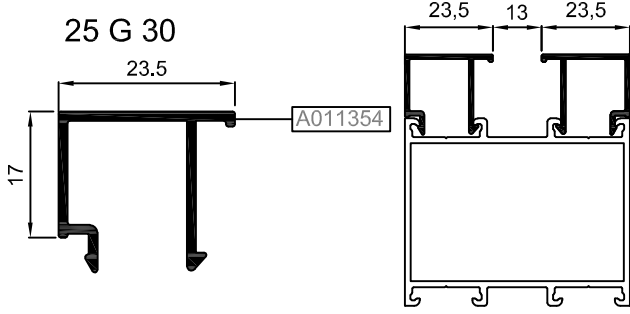
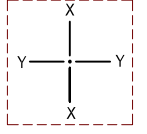




KOD/ CODE	AĞIRLIK (kg/m)/ WEIGHT	L m	KOD/ CODE	AĞIRLIK (kg/m)/ WEIGHT	L m
25 G 21	0,196	6	25 G 13	0,278	6
25 G 11	0,224	6	25 G 14	0,280	6
25 G 10	0,225	6	25 G 15	0,282	6
25 G 09	0,229	6	25 G 16	0,285	6
25 G 12	0,270	6	25 G 17	0,289	6

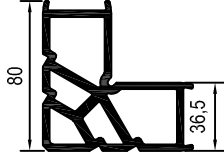
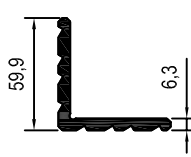
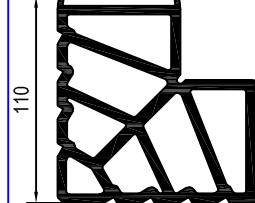


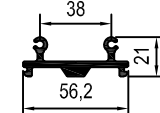
KOD/ CODE	AĞIRLIK (kg/m)/ WEIGHT	Jxx cm4	Jyy cm4	L m
25 G 30	0,229	6		
25 G 31	0,209	6		





# KÖŞE TAKOZLARI VE ORTA KAYIT BAĞLANTI PROFİLLERİ CORNER CLEATS AND MULLION CONNECTION PROFILES

# RW60

PROFİL KODU (PROFILE CODE)	25 L 03	25 L 50	25 L 76
FABRİKA KODU (FACTORY CODE)	A002021	A010838	A011915
AĞIRLIK (WEIGHT)	4,315 kg/m	1,748 kg/m	9,507 kg/m
ÇİZİM (DRAWING)			

PROFİL KODU (PROFILE CODE)	RW60 A 08		
FABRİKA KODU (FACTORY CODE)	A010976		
AĞIRLIK (WEIGHT)	0,967 kg/m		
ÇİZİM (DRAWING)			

KÖŞE TAKOZLARI (CORNER CLEAT)				
Nr		 L m	KESİM ÖLÇÜSÜ CUTTING SIZE	AKS. KODU ACS. CODE
RW60 F 02	A010962	25 L 03 (A002021)	56,5 mm	215 L 03
RW60 F 04	A010975	25 L 50 (A010838)	56,5 mm	215 L 50
RW60 F 05	A011116	25 L 03 (A002021)	56,5 mm	215 L 03
RW60 F 06	A011128	25 L 03 (A002021)	56,8 mm	245 L 03
RW60 V 01	A010781	25 L 03 (A002021)	56,5 mm	215 L 03
RW60 V 03	A011127	25 L 03 (A002021)	56,8 mm	245 L 03
RW60 V 04	A011878	25 L 76 (A011915)	56,5 mm	215 L 76

ORTA KAYIT BAĞLANTI (MULLION CONNECTION PIECE)				
Nr		 L m	KESİM ÖLÇÜSÜ CUTTING SIZE	
RW60 F 02	A010962	RW60 A 08 (A010976)	36,5 mm	
RW60 F 03	A010974	RW60 A 08 (A010976)	81,5 mm	
RW60 F 04	A010975	RW60 A 08 (A010976)	6,2 mm	
RW60 F 05	A011116	RW60 A 08 (A010976)	36,5 mm	
RW60 F 06	A011128	RW60 A 08 (A010976)	36,5 mm	
RW60 K 01	A010783	RW60 A 08 (A010976)	88,2 mm	
RW60 K 02	A011129	RW60 A 08 (A010976)	88,6 mm	
Rw60 K 03	A011879	RW60 A 08 (A010976)	101,1 mm	

## STOKTA BULUNAN SİSTEM PROFİLLERİNİN LİSTESİ (LIST OF SYSTEM PROFILES IN STOCK)

Nr		MIN. SİPARİŞ MİKTARI MIN. ORDER QUANTITY
RW60 F 02	A010962	75 kg
RW60 F 03	A010974	75 kg
RW60 F 04	A010975	75 kg
RW60 F 06	A011128	75 kg
RW60 V 01	A010781	75 kg
RW60 V 03	A011127	75 kg
RW60 K 01	A010783	75 kg
RW60 K 02	A011129	75 kg
RW60 A 01	A010782	75 kg
RW60 A 04	A010900	75 kg
RW60 A 05	A010898	75 kg
RW60 A 06	A010899	75 kg
RW60 A 08	A010976	75 kg

\* STOKTA BULUNMAYAN TÜM PROFİLLER İÇİN MİNİMUM SİPARİŞ MİKTARI 300 KG'DIR.

MINIMUM ORDER QUANTITY FOR ALL THE PROFILES THAT ARE NOT IN STOCK IS 300 KG.

# MİMARİ KATALOG

## ARCHITECTURAL CATALOGUE

Alüminyum Kapı Pencere ve Giydirme Cephe Sistemleri  
Aluminium Window Doors and Facade Systems



Rescara Sistem Detayları  
Rescara System Details

# RW60

DETAYLAR

DETAILS

01

02

03

04

05

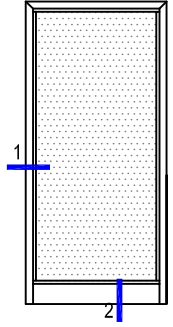
06

07

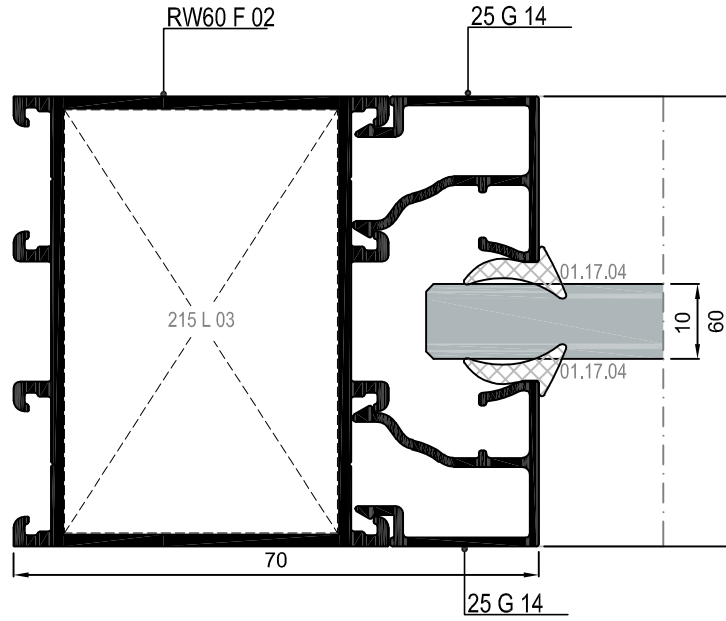
08

09

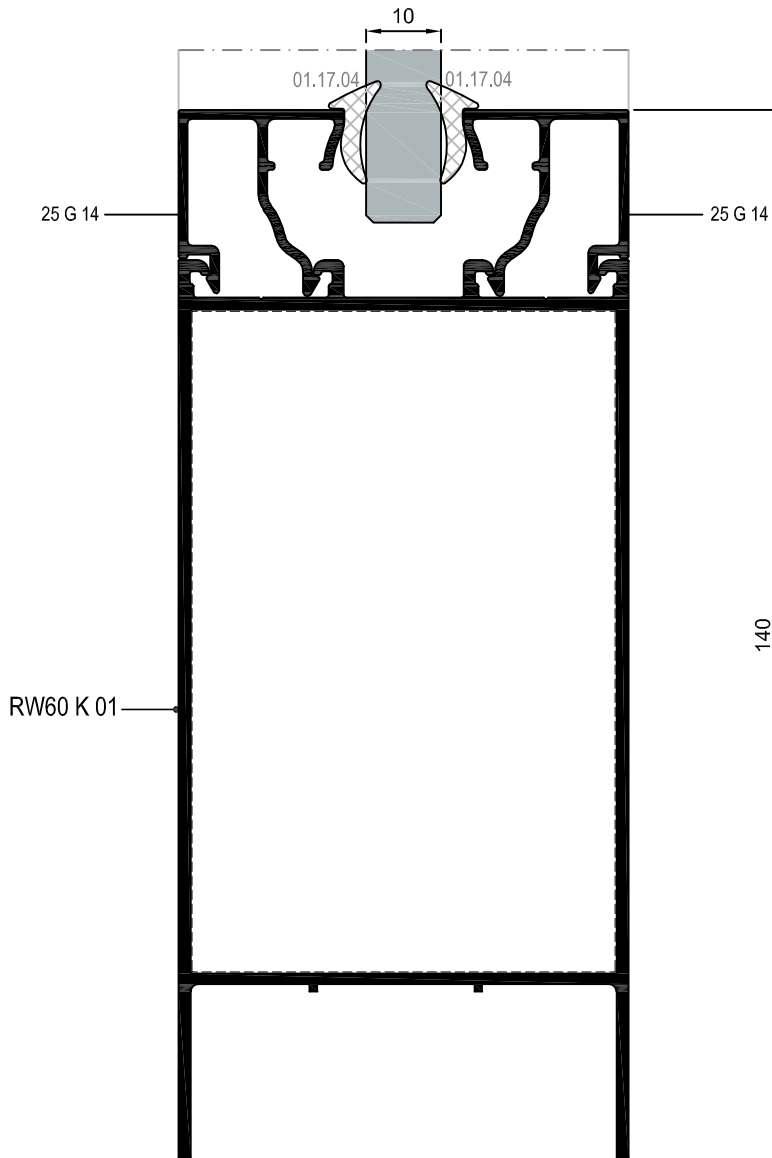
10

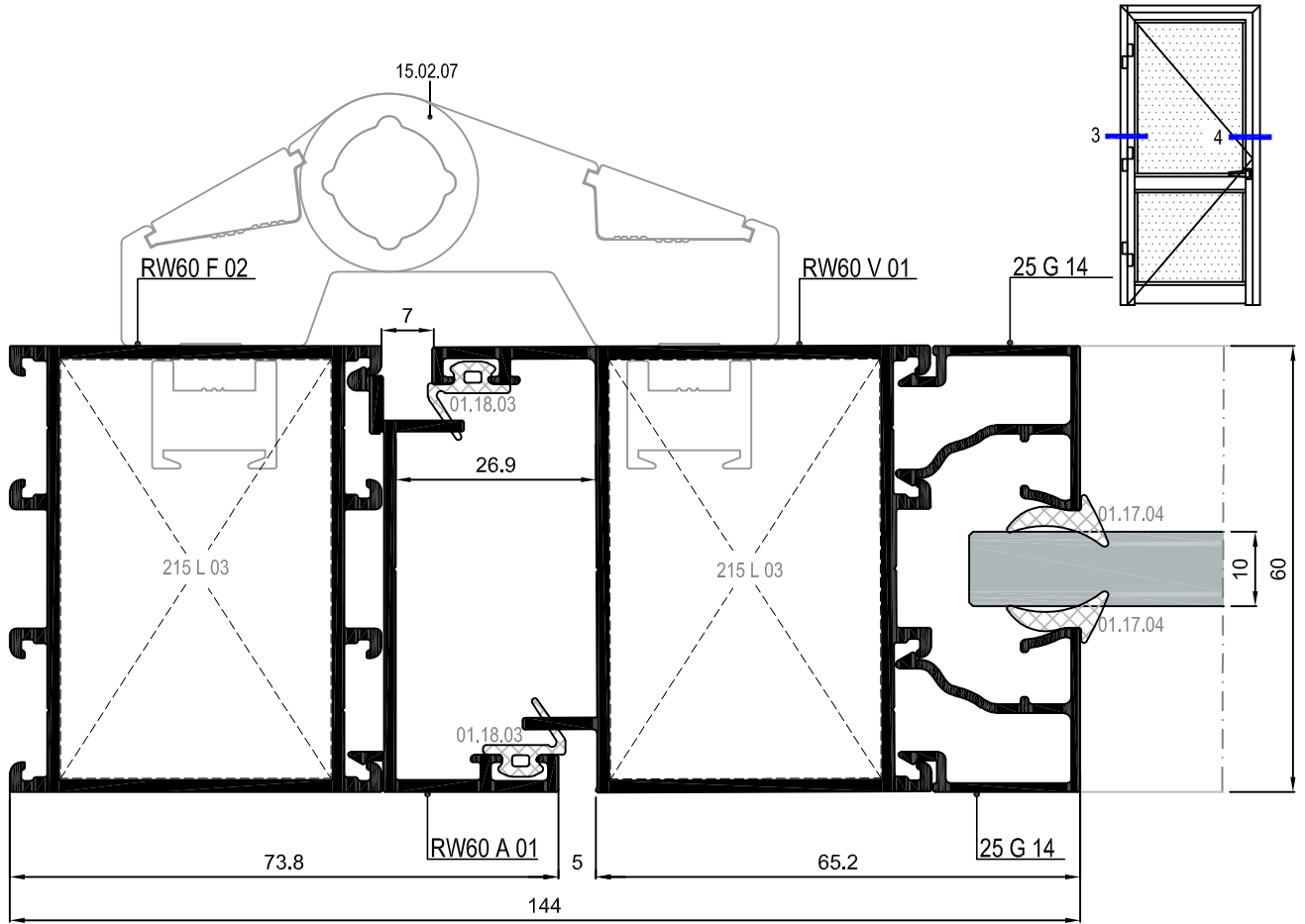


① DETAYI  
DETAIL

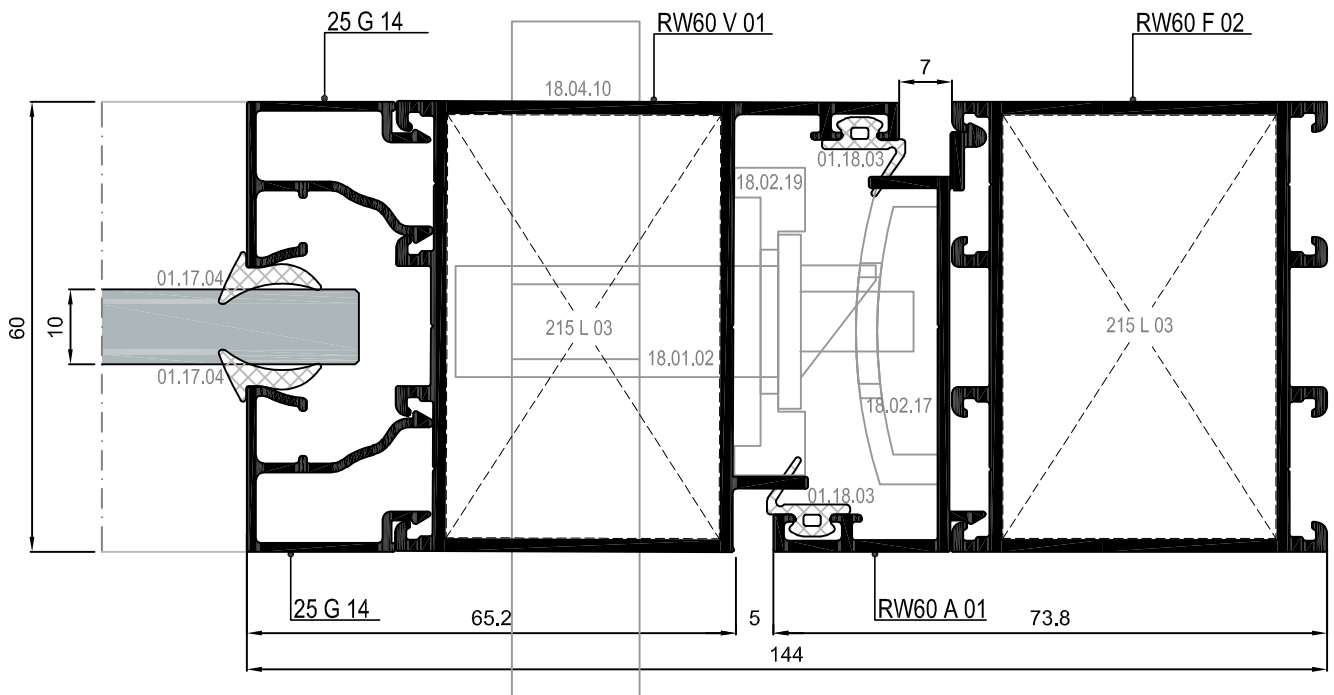


② DETAYI  
DETAIL





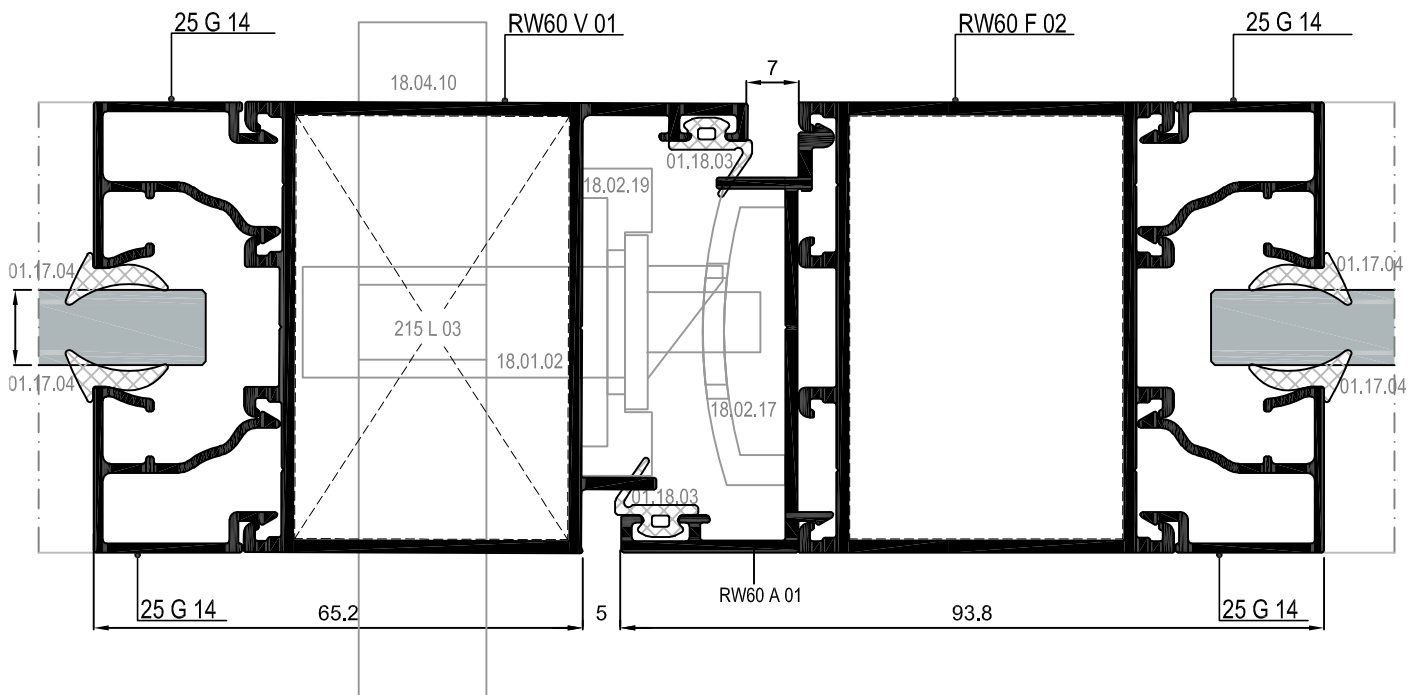
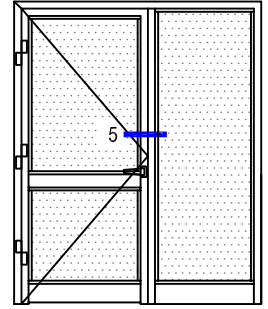
③ DETAYI  
DETAIL



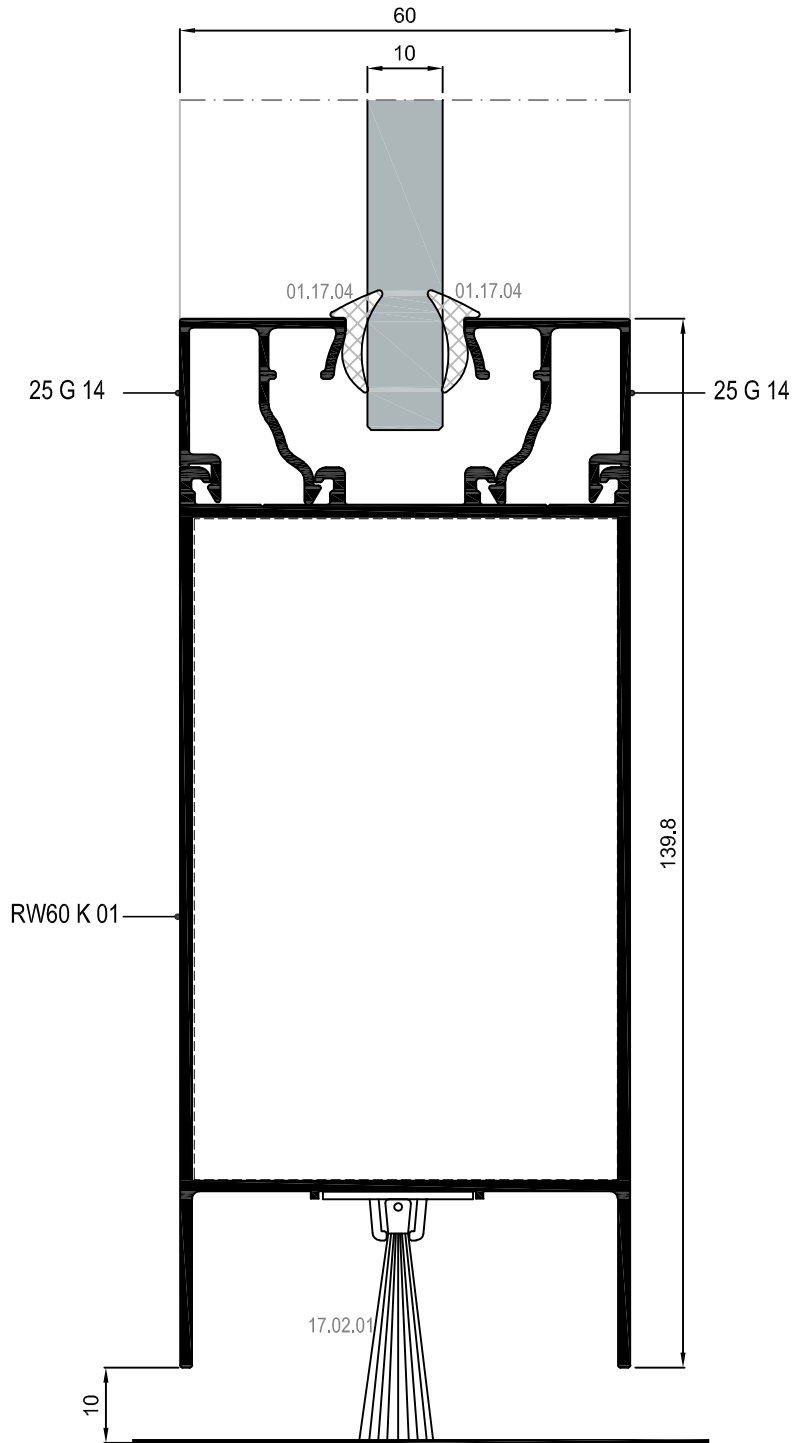
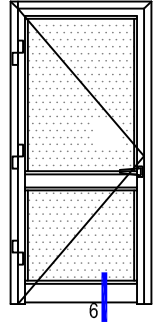
④ DETAYI  
DETAIL

DETYLAR  
DETAILS

# RW60



⑤ DETAYI  
DETAIL

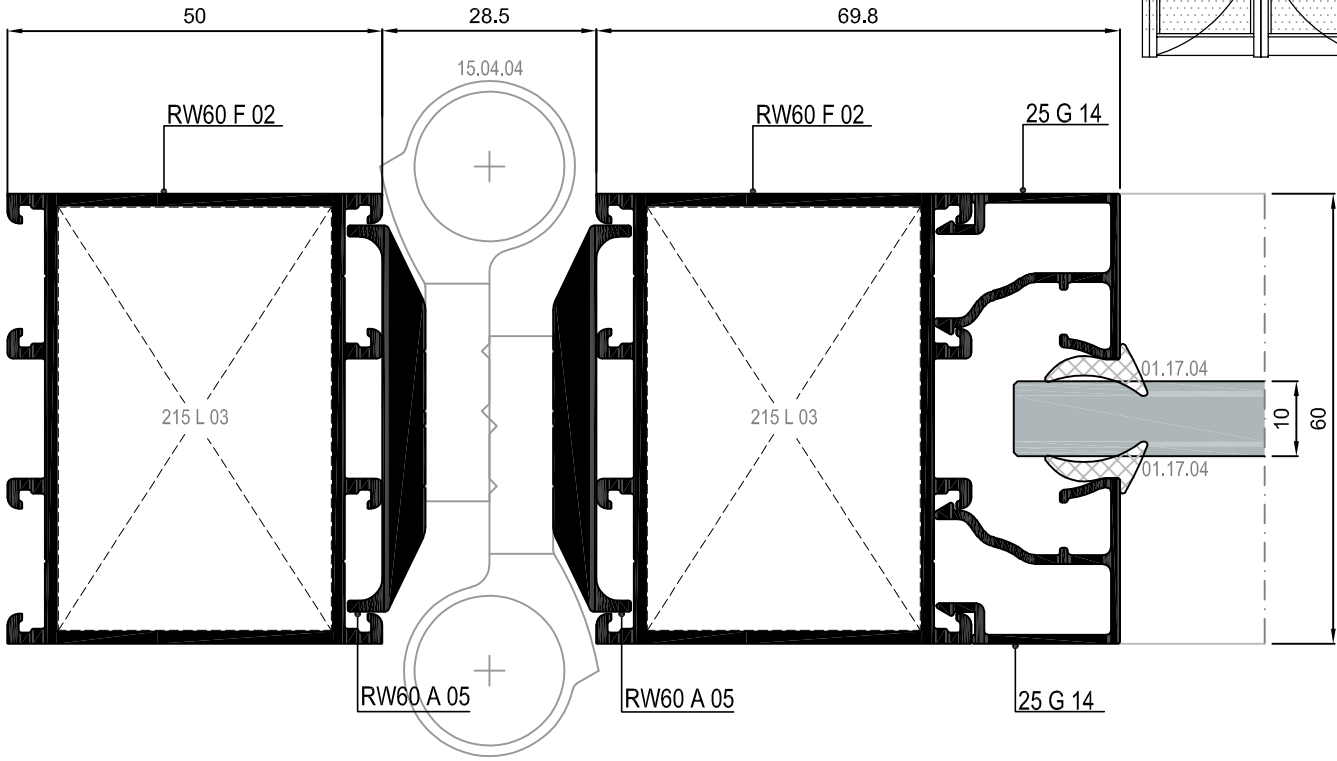
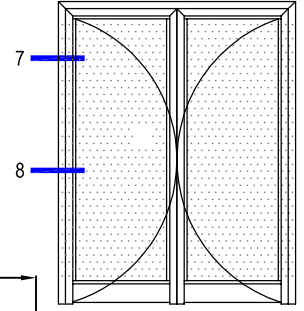




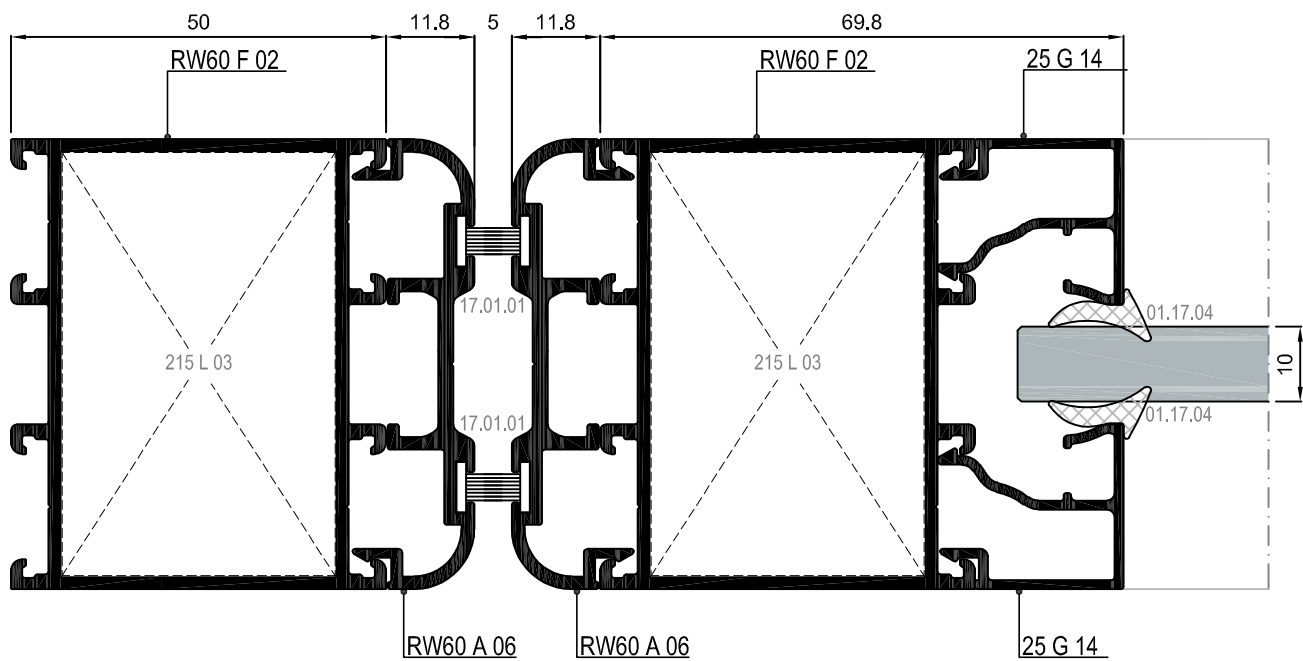
DETAYLAR  
DETAILS

# RW60

ÇARPMA KAPI DETAYLARI  
SWINGING DOOR DETAILS

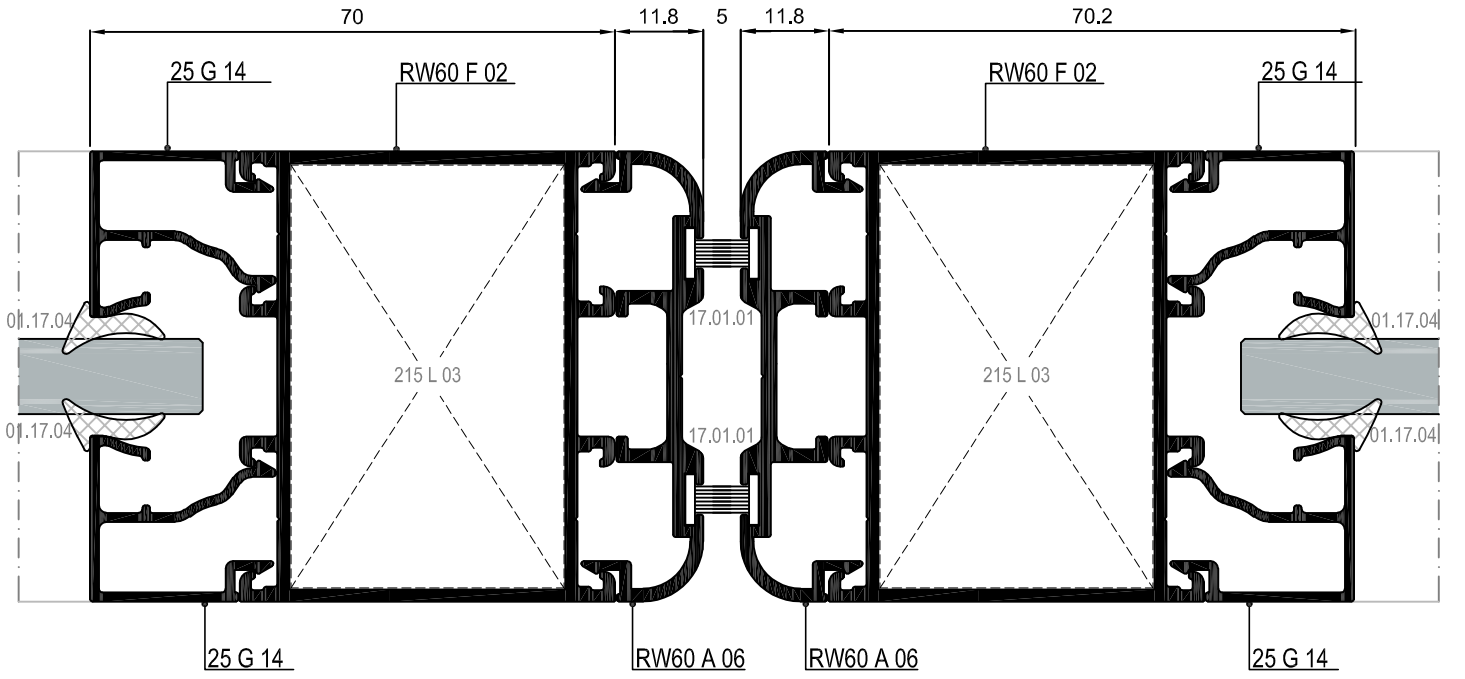
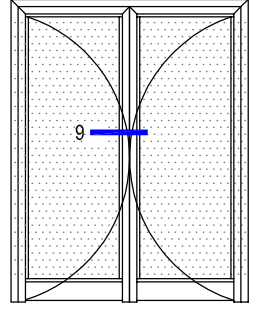


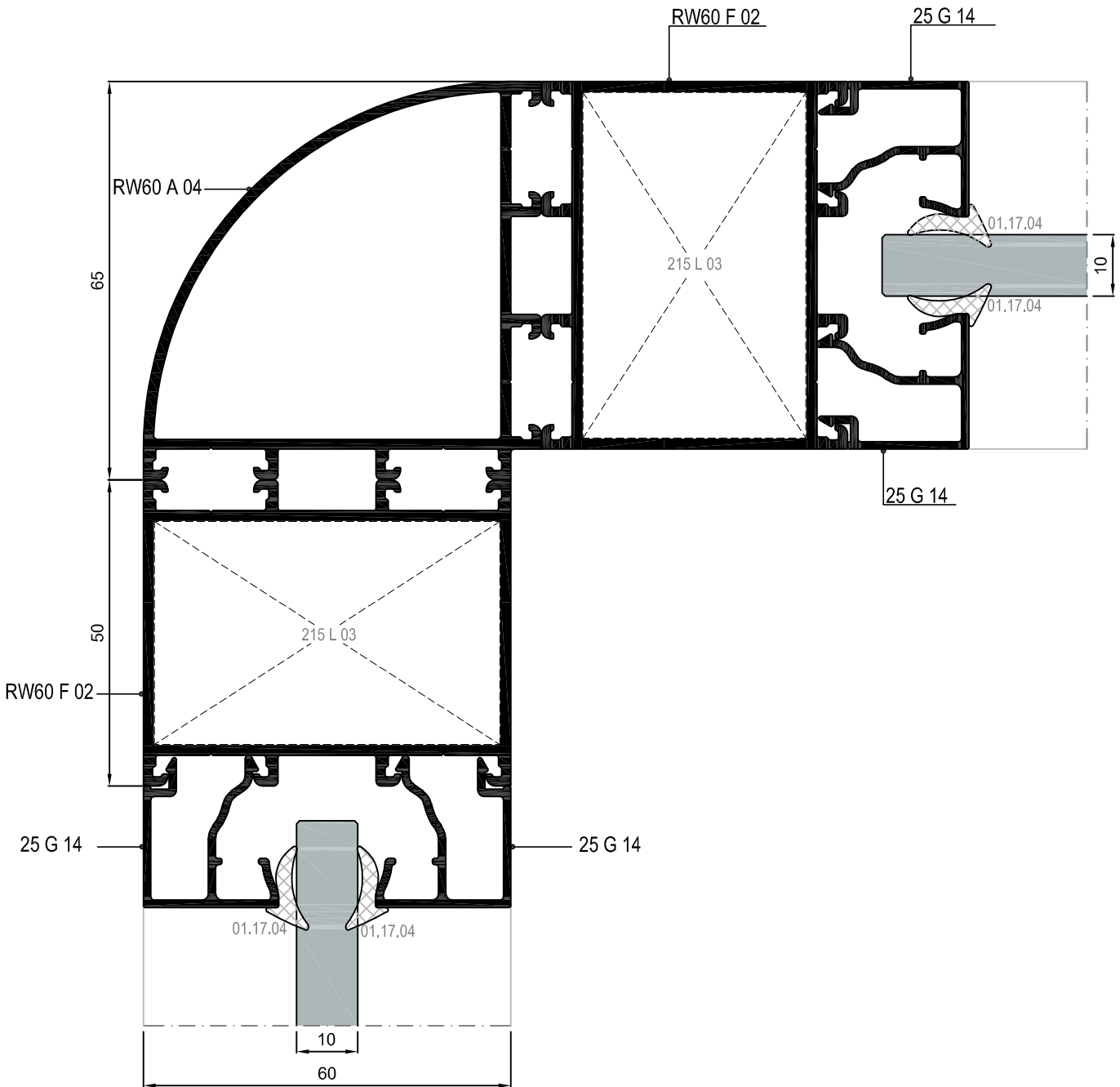
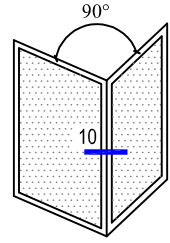
7 DETAYI  
DETAIL



8 DETAYI  
DETAIL

ÇARPMA KAPI DETAYLARI  
SWINGING DOOR DETAILS





# MİMARİ KATALOG

## ARCHITECTURAL CATALOGUE

Alüminyum Kapı Pencere ve Giydirme Cephe Sistemleri  
Aluminium Window Doors and Facade Systems



Rescara Sistem Detayları  
Rescara System Details

# RW60

**AKSESUARLAR**

ACCESSORIES

01

02

03

04

05


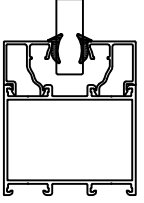

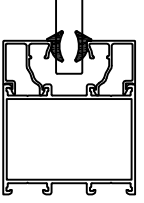

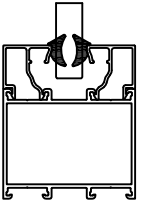

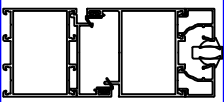

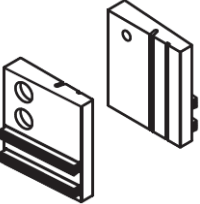
06

07

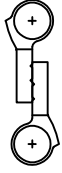
08

09

10

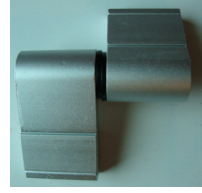
	<p><b>01.17.03</b></p> <p>İÇ CAM FITİLİ 3 mm boşluk için INSIDE GLAZING GASKET for 3 mm space</p> <p>Malzeme / Material : EPDM Ağırlık / Weight : 59 gr/m Paket / Package: 254m / 15 kg</p>				
	<p><b>01.17.04</b></p> <p>İÇ CAM FITİLİ 4 mm boşluk için INSIDE GLAZING GASKET for 4 mm space</p> <p>Malzeme / Material : EPDM Ağırlık / Weight : 69 gr/m Paket / Package: 215m / 15 kg</p>				
	<p><b>01.17.05</b></p> <p>İÇ CAM FITİLİ 5 mm boşluk için INSIDE GLAZING GASKET for 5 mm space</p> <p>Malzeme / Material : EPDM Ağırlık / Weight : 89 gr/m Paket / Package: 168m / 15 kg</p>				
	<p><b>01.18.03</b></p> <p>DIŞ BİNİ FITİLİ OUTSIDE ACOUSTICAL GASKET</p> <p>Malzeme / Material : EPDM Ağırlık / Weight : 41 gr/m Paket / Package: 365m / 15 kg</p>				
	<p><b>17.01.01</b></p> <p>KİL FITİL 670x700 BRUSH 670x700</p> <p>Malzeme / Material : Polipropilen / Polypropylene Paket / Package : 275 mt</p>				

## KAPI MENTEŞELERİ / DOOR HINGES



15.04.04

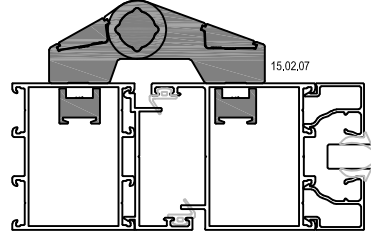
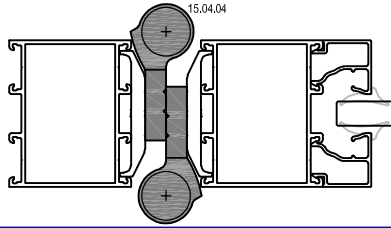
ÇARPMA KAPI MENTEŞESİ  
SWING DOOR HINGE  
Renk / Colour : Çelik / Stainless Steel



15.02.07

YERLİ KAPI MENTEŞESİ  
LOCAL HINGE FOR DOORS  
Renk / Colour : Siyah-Beyaz-Gri-Eloksal  
Black-White-Grey-Anodized

100 kg için 2 adet kullanılmalıdır. / Should be used 2 for 100 kg.  
Max. kanat ölçüsü 900x2200./ Max. vent dimension 900x2200  
TS EN 1935



Ölçek/Scale: 1/1

## KAPI KOLLARI / DOOR HANDLES



07.14.06

GIESSE KAPI KOLU  
GIESSE DOOR HANDLE

Renk / Colour : Siyah-Beyaz-Gri  
Black-White-Grey



07.14.07

RESCARA GLOBAL KAPI KOLU  
RESCARA GLOBAL DOOR HANDLE

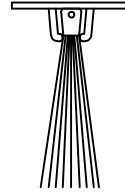
Renk / Colour : Siyah-Beyaz-Gri  
Black-White-Grey



07.14.08

RESCARA MULETA KAPI KOLU  
RESCARA GLOBAL DOOR HANDLE

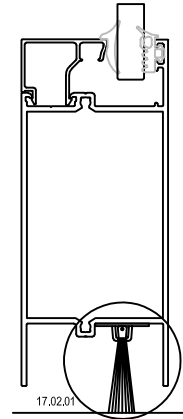
Renk / Colour : Siyah-Beyaz-Gri  
Black-White-Grey




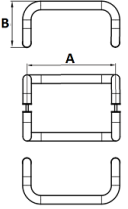
17.02.01


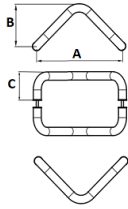
KAPI ALTI FIRÇASI  
BRUSH FOR DOORS

Malzeme / Material : Polipropilen / Polypropylene


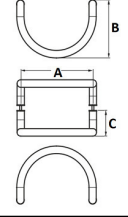


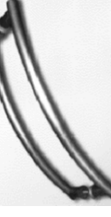

## KAPI KOLLARI / DOOR HANDLES


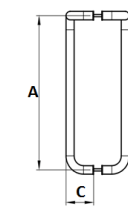
		KIVRIK KOL DOOR HANDLE Renk / Colour : Siyah-Beyaz-Eloksal Black-White-Anodised	
KOD CODE	Ø (mm)	A (mm)	B (mm)
07.17.10	25	200	130
07.17.11	25	300	130
07.17.02	25	400	130
07.17.27	25	500	160

		V KOL DOOR HANDLE Renk / Colour : Siyah-Beyaz-Eloksal Black-White-Anodised		
KOD CODE	Ø (mm)	A (mm)	B (mm)	C (mm)
07.17.06	25	200	130	80
07.17.29	25	250	130	80
07.17.30	25	300	130	80
07.17.31	30	400	160	100

		U KOL DOOR HANDLE Renk / Colour : Siyah-Beyaz-Eloksal Black-White-Anodised	
KOD CODE	Ø (mm)	A (mm)	B (mm)
07.17.08	25	200	80
07.17.35	25	300	80
07.17.36	30	400	100

		YARIM AY KOL DOOR HANDLE Renk / Colour : Siyah-Beyaz-Eloksal Black-White-Anodised		
KOD CODE	Ø (mm)	A (mm)	B (mm)	C (mm)
07.17.32	25	200	130	80
07.17.20	25	300	130	80
07.17.33	30	350	160	100

		YAY KOL DOOR HANDLE Renk / Colour : Siyah-Beyaz-Eloksal Black-White-Anodised	
KOD CODE	Ø (mm)	A (mm)	B (mm)
07.17.37	400	350	80
07.17.22	500	450	80
07.17.38	600	550	80
07.17.39	700	650	80
07.17.40	800	750	80

		BASTON KOL DOOR HANDLE Renk / Colour : Siyah-Beyaz-Eloksal Black-White-Anodised		
KOD CODE	Ø (mm)	A (mm)	B (mm)	C (mm)
07.17.23	25	900	180	80
07.17.34	25	1000	180	80



**07.17.19**  
AKBANK KAPI KOLU  
DOOR HANDLE  
Renk / Colour : Siyah-Beyaz-Gri-Eloksal  
Black-White-Grey-Anodised



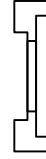
**07.13.10**  
AKBANK KOL APARATI  
DOOR HANDLE  
Renk / Colour : Siyah-Beyaz-Gri-Eloksal  
Black-White-Grey-Anodised



## KAPI KİLİTLERİ / DOOR LOCKS



18.01.01  
MAKARALI KİLİT  
MORTISE LOCK (WITH ROLLER)



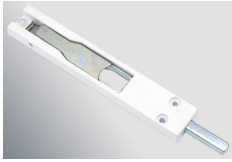
18.02.19  
DİLLİ KİLİT YATAĞI  
MORTISE LOCK PLATE  
Renk / Colour : Siyah-Beyaz-Eloksal  
Black-White-Anodised



18.01.02  
DİLLİ KİLİT  
MORTISE LOCK



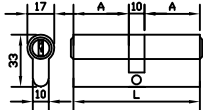
18.02.17  
DİLLİ KİLİT KARŞILIĞI  
STRIKER FOR MORTISE LOCK  
Renk / Colour : Siyah-Beyaz-Eloksal  
Black-White-Anodised



18.03.09  
KISA SÜRGÜ  
SHORT SLIDER



18.03.10  
UZUN SÜRGÜ  
LONG SLIDER



18.04.10  
BAREL  
CYLINDER  
Malzeme / Material : Krom-Nikel / Chrome-Nickel

A	B	L
33	33	76



18.05.02  
BAREL AYNASI  
CYLINDER COVER  
Renk / Colour : Siyah-Beyaz-Grey  
Black-White-Grey

